

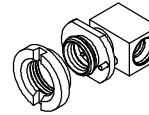
DATE REVISED: 11/14/98

CATALOG NUMBER

1B3A3-0533-01

MATERIAL AND FINISH

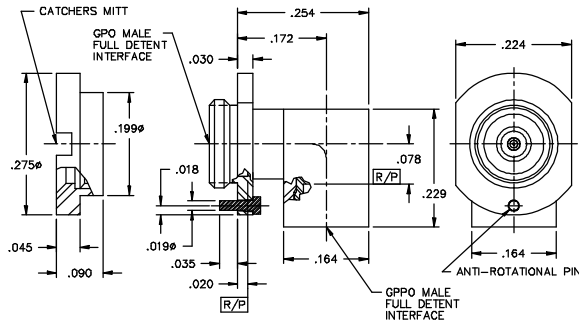
FRONT NUT, SHROUD, BULKHEAD HOUSING, AND R/A HOUSING: CRES 303; PASSIVATED



ANTI-ROTATIONAL PIN: 17-4 PH STAINLESS STEEL; PASSIVATED

CENTER CONTACT: BeCu; GOLD PLATE 75 MICRONS TYPICAL OVER NICKEL PLATE 100 MICRONS TYPICAL.

DIELECTRICS: VIRGIN PTFE



NOTES:

1. TIGHTEN FRONT NUT TO BULKHEAD HOUSING WITH 6lbs/in MAX.

This drawing and any data contained herein is the property of Corning Gilbert Inc., and constitutes and contains proprietary and confidential information. Neither receipt nor possession of this drawing confers or transfers any right to duplicate, use or disclose any information contained herein except as expressly authorized by Corning Gilbert Inc.

GPO MALE FULL DETENT CATCHERS  
MITT R/A BULKHEAD MOUNT TO  
GPPO MALE FULL DETENT

IDENT CODE:  
82316  
REVISION: B2

**Corning Gilbert Inc.**

SOURCE FILE: SK-321B

DWG. NO.: OL-1B3A3-0533-01

ASSY. PROC.: -